

# SKF LubriLean

## Minimal Quantity Lubrication (MQL) for Dry Machining Processes



### Internal minimal quantity lubrication



### External minimal quantity lubrication



An aerosol is generated in the MQL equipment's reservoir and fed through the rotating spindle or turret to the tool. With an optimal setting, the metered quantity of oil is completely used up without any residue being left.

Metered lubricant is atomized by compressed air in a spray nozzle. That produces micro-droplets that make their way together with the carrier air to the friction point without any mist being formed.

Conversion from wet machining to dry machining in the production process results in the following benefits:

#### Cut costs

- No need for cooling lubricants
- No need for machine tool components like lubricant filters and conditioning systems
- No disposal costs for chips and cooling lubricants
- No need to wash workpieces

#### Improve productivity

- Significant reduction of production time (30-50%)
- Higher cutting efficiency
- Tool lives increased by as much as 300%
- Reliable control of production processes

#### Utilize a technological advantage

- Solutions for OEMs and retrofitters
- Parallel use of wet and dry machining
- Better surface finish

## The path from wet to dry machining

### Productivity and the environment

In many cases, the driving force behind the introduction of dry machining is the recognition that today workpiece-related costs for cooling lubricants can be several times higher than tool costs. Moreover, the handling of cooling lubricants is causing problems, including the burden they place on employers and the environment.

Since there is no need for a cooling-lubricant cycle in the value-added process, there is a direct reduction of costs. Experience shows that productivity is significantly improved at the same time: production times are cut by as much as 50% regardless of the production job and choice of tools. Since there is no need to clean workpieces, the process chain is shortened and further costs saved as a result. Internally, a conversion of production processes from wet to dry machining helps to motivate personnel; externally it contributes to a better corporate image.

In addition, lawmakers and statutory accident insurance associations are enacting stricter laws and regulations in reaction to the hazards posed by cooling lubricants. For a company, that means not only more responsibility and new obligations vis-à-vis the personnel but also, and above all, higher costs.

Wide-scale introduction of dry machining in the production sector makes it possible to avoid the economic and ecological problems entailed by wet machining.

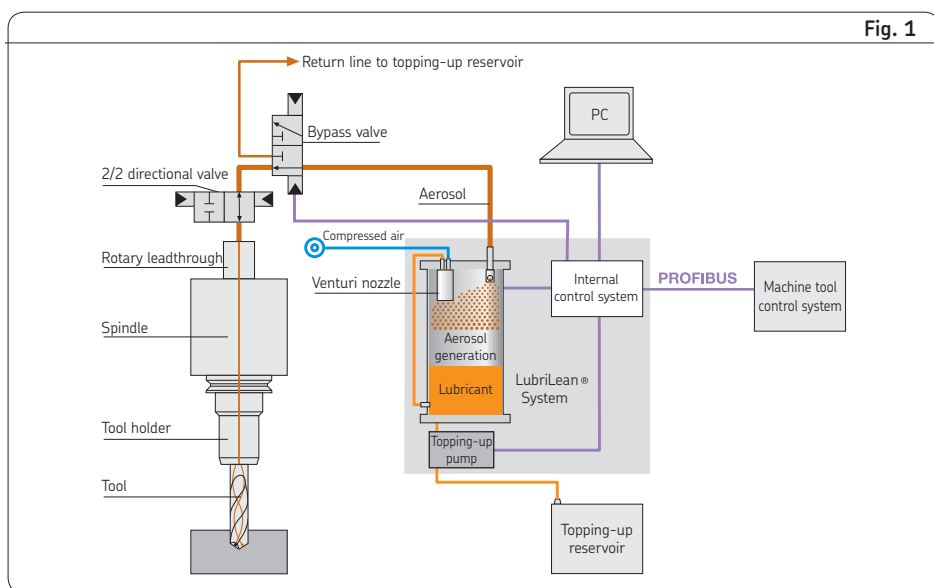
**The use of minimal quantity lubrication significantly reduces process costs and protects the environment.**

### Technology and use

An overall MQL system of the single-duct type consists of harmonized components that work together to lubricate the cutting area. In practice, that means the end user does not have to optimize any, or only a few, components for his part-related cutting task (rewriting NC programs, choosing tools, optimizing processes).

It is very easy for a user to install a minimal quantity lubrication system with a single-duct aerosol feed. The MQL units of the SKF LubriLean group require very little maintenance and do not wear, because they are free from movable components. Single-duct MQL equipment is integrated into time-proven and mature machine-tool components. Single-duct MQL systems can be integrated in turning machines with tool turrets.

While day-to-day production operations are being converted to MQL technology, it is possible to alternatively perform wet and dry machining on one and the same machine with SKF system solutions. Mixed MQL/wet machining thus permits a seamless switchover to minimal quantity lubrication. So SKF LubriLean makes it possible to gradually convert a company's range of products to MQL technology.



**Fig. 1**  
SKF LubriLean – Minimal Quantity Lubrication System in Modern Machining Centers

## Basics of minimal quantity lubrication

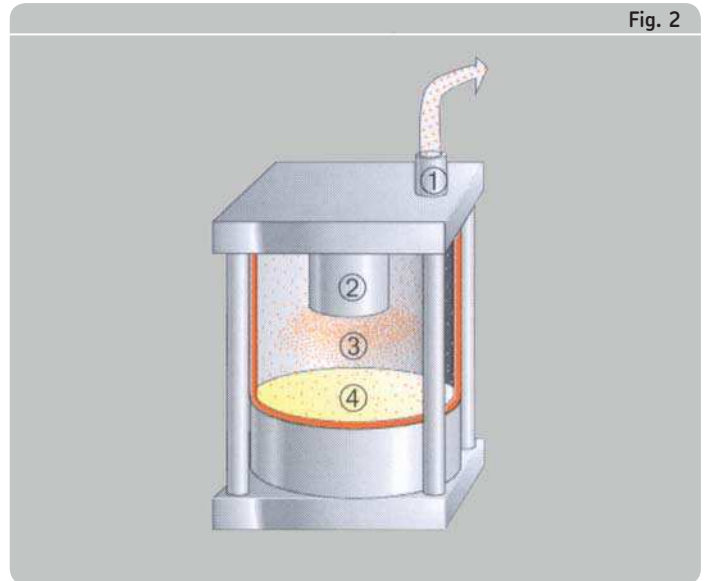
### Design and function

With MQL, the lubricating between the tool and workpiece is done with a flow of air containing finely dispersed droplets of oil, a so-called aerosol.

The systems described here contain a special aerosol generator that can produce aerosols with an oil droplet size of  $\cong 0.5 \mu\text{m}$ . Thanks to this small size, the droplets of oil have hardly any inertia or rate of fall.

That makes it possible to transport the aerosol over long distances, via sharp deflections or through high-speed rotating tool spindles without any notable demixing, so all the lubricant particles are fed to the tool's cutting edge.

Effective lubrication of the cutting process can be achieved with extremely small amounts of oil. Higher productivity is achieved due to higher cutting speeds and longer tool lives. And there is no need to condition or dispose of cooling lubricants.



**Fig. 2**  
 1) Aerosol transport  
 2) Aerosol generator  
 3) Lubricant particles  
 4) Lubricant

### How the aerosol works

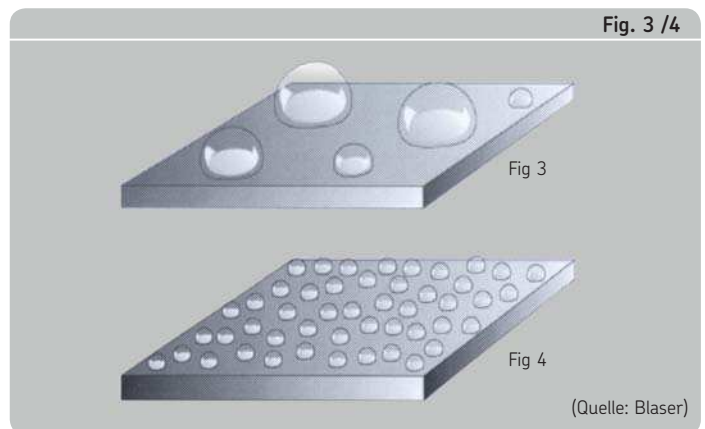
The size and distribution of the droplets of oil in the aerosol are very homogenous with SKF LubriLean minimal quantity lubrication systems since the aerosol is atomized under controlled conditions.

That results in the following physical advantages:  
 In addition to the high degree of surface wetting, extremely fine particles of lubricant also reach inaccessible spots on the workpiece.

Difficult through-feed tasks with deflections of the kind found in the turrets of turning machines can also be handled. Also, the transport of aerosol to the active site does not present any problem in the case of milling machines running at speeds of more than 20 000 rpm.

Lines as long as 20 m from the minimal quantity lubrication system to the machining site are likewise no problem for these installations.

The friction, and thus the transfer of heat from the chip to the tool and workpiece, is reduced. Optimal lubrication during removal of the chips in the chip groove not only permits higher machining speeds but also results in a much better workpiece surface finish.



**Fig. 3 (conventional processes):**  
 Poor wetting of the workpiece and tool due to uncontrolled atomization of the air/oil droplets at the nozzle.

**Fig. 4:**  
 SKF LubriLean droplets wet the workpiece evenly due to much smaller, homogenous droplets.

# Internal Minimal Quantity Lubrication (MQL) with DigitalSuper / Vario

## How it works

A fine aerosol with an homogenous particle size of ~ 0,5 µm is produced in the reservoir from a lubricant and compressed air with a special nozzle system. Thanks to the small particle size, the aerosol passes through the rotating spindles of machining centers or through the winding ducts of turrets on modern turning centers without any demixing taking place en route. Dependable machining is assured by such loss-free transport.

Modern machining centers with a large number of tools require individual control of the aerosol quantity by stored-program control (SPC) of the machine tools. This control possibility is provided by the SKF LubriLean DigitalSuper system. The aerosol quantity and

composition required for the respective tool and cutting task are set by valves switched with M or H commands from the machine's control system.

The required aerosol quality is adjusted with the SKF LubriLean Vario system by manual regulation of the air pressure and quantity of lubricant.

## Advantages

- Can be used in nearly every production process in machining centers (optimally defined droplet size  $\cong 0.5 \mu\text{m}$ )
- Short response times (tool change)
- No moving parts (wear-free)
- Specially suitable for small tools and high cutting speeds
- Simple integration in machine tool systems (retrofitting, standard production)

Transport of the aerosol through lines as long as 20 m is no problem for SKF LubriLean DigitalSuper and Vario systems.

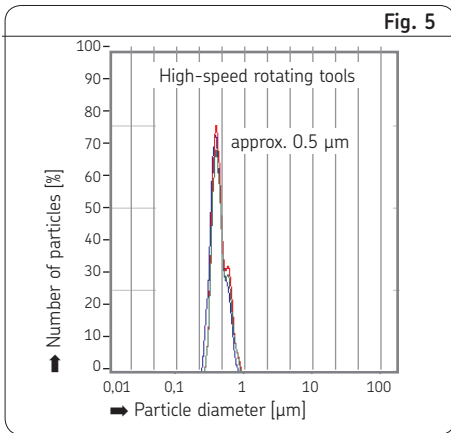
A ball valve has to be installed directly upstream of the spindle inlet or turret to assure short response times despite long transport routes.

A "bypass" system can be optionally integrated in the aerosol feed (Fig. 1, page 2) to achieve shorter response times – related to the supply of altered quantities of aerosol.

The production of aerosol is not stopped during the tool change. The newly required amount of aerosol is produced instead.

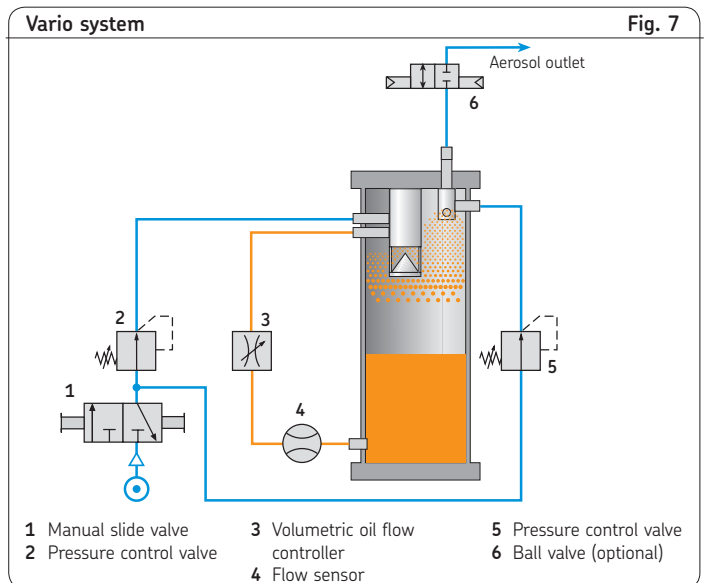
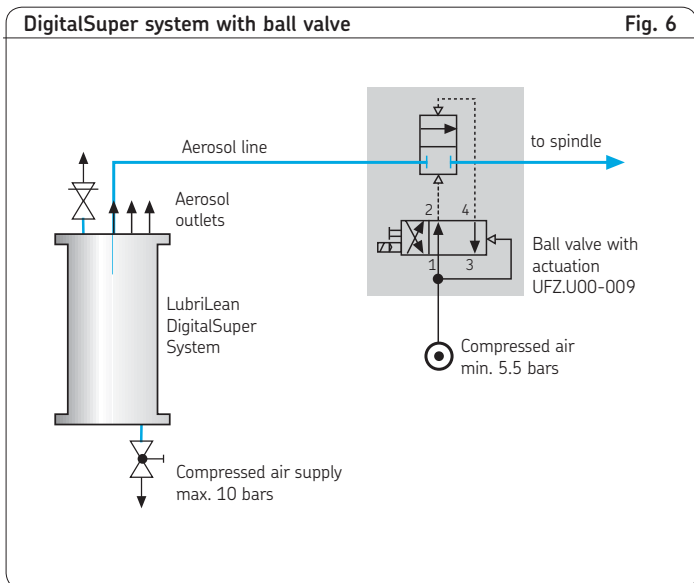
The aerosol is directed through a 3/2-way ball valve. That makes sure the new quantity of aerosol is available right away when the process starts.

The aerosol produced during the tool change can be routed directly into the exhaust system or – if the system is optionally outfitted with an additional topping-up reservoir – through a demixing device.



**Fig. 5**  
Distribution of particle size with DigitalSuper and Vario

See important product usage information on the back cover.



# External Minimal Quantity Lubrication (MQL) with Basic / Smart

## How it works

The SKF LubriLean Basic and Smart minimal quantity lubrication system consists of a lubricant reservoir, one or more mixture regulation units and lubricant lines with spray nozzles.

The compressed air fed to the system pressurizes the lubricant reservoir resulting in the lubricant being transported separately (= dual ducts) through a system of ducts and lines to the spray nozzle.

**What is meant by a double-duct function?**  
Regulation of the required quantities of lubricant and atomizing air as well as adjustment of the lubricant reservoir's internal pressure are done by hand via the control valves mounted on the lubricant reservoir.

The lubricant lines are coaxial lines so that the lubricant and atomizing air can be transported separately to the spray nozzle. The nozzle is a binary nozzle, since two different substances are mixed with each other.

## Spray nozzles

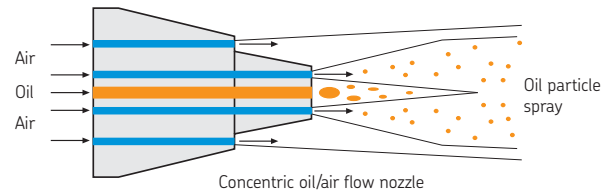
The aerosol required at the process point is produced at the nozzle outlet. The lubricant and required atomizing air are fed through coaxial lines from the minimal quantity lubrication system to the spray nozzle. The lubricating mixture is formed at the nozzle outlet by the Venturi principle. Carrier air flowing past the oil outlet sweeps the lubricant along with it and turns it into extremely fine lubricant particles.

The concentric oil/air flow that results from this special design keeps the jet from expanding and causes the aerosol to be delivered to the process spot with pinpoint accuracy. As a result, contamination of the surroundings with excess aerosol is successfully prevented.

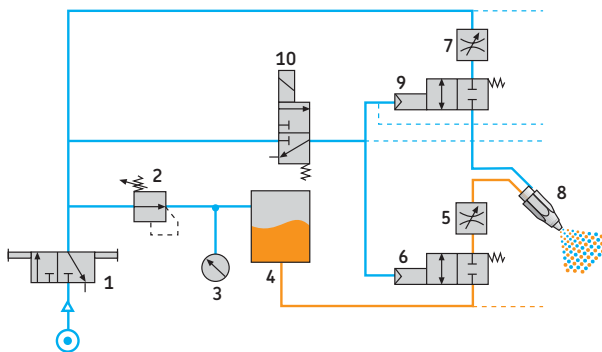
## Advantages

- Conventional machine tools can be easily retrofitted
- Simple adaptation
- Fast response
- High process reliability
- No dripping nozzles after shutdown
- Large spray distances achievable (up to 300 mm)
- Small amount of jet spray
- Better surface finish
- No lubricant residue on workpiece or chips
- Greater workplace safety and environmental hygiene
- Fast amortization of system due to longer tool lives

Microdroplets sprayed by a triple concentric-flow nozzle Fig. 8

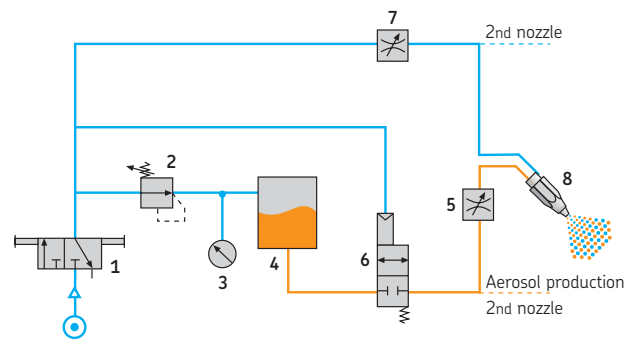


Basic system Fig. 9



- |                          |                 |
|--------------------------|-----------------|
| 1 Manual slide valve     | 6 2/2-way valve |
| 2 Pressure control valve | 7 Restrictor    |
| 3 Pressure gauge         | 8 Spray nozzle  |
| 4 Reservoir              | 9 2/2-way valve |
| 5 Oil adjustment screw   | 10 Magnetventil |

Smart system Fig. 10



- |                          |                        |
|--------------------------|------------------------|
| 1 Manual slide valve     | 5 Oil adjustment screw |
| 2 Pressure control valve | 6 2/2-way valve        |
| 3 Pressure gauge         | 7 Restrictor           |
| 4 Reservoir              | 8 Spray nozzle         |

## Applications of the SKF LubriLean Systems

### DigitalSuper

Machining centers  
Turning centers

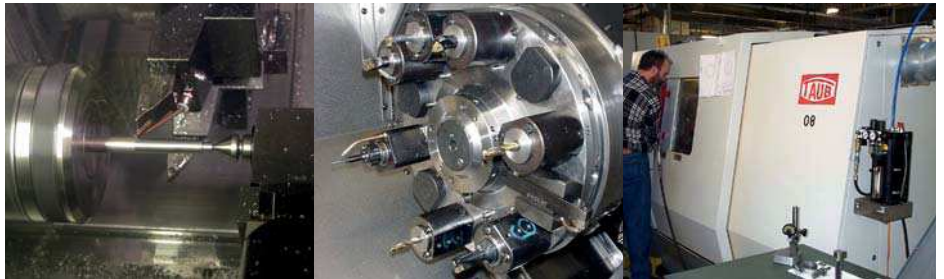
The DigitalSuper 2 is available for use on machining centers with double spindles or turning machines with two turrets.



### Vario

Turning, milling, drilling

Special applications  
(e.g. multispindle machines)



### VarioPlus

Turning, milling, drilling

Retrofitting of turning and machining centers

Also suitable for small tools



### VarioSuper

Machining centers  
Turning centers  
Special machines

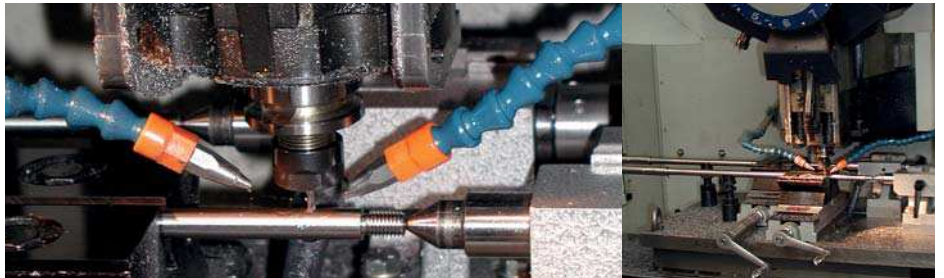


### Basic / Smart

Drilling, milling, broaching, tapping, thread forming

Universal milling machines

Applications with up to two (Smart) or eight (Basic) lube points



## Technical Data

		DigitalSuper	Vario	VarioPlus	VarioSuper	Basic	Smart
Metal housing		●	●	●	●	●	●
Capacity [liters]		1.8	1.8	1.8	1.8	3	0.3; 0.5; 0.8
Internal lubrication		●	●	●	●	–	–
External lubrication		●	●	●	●	●	●
Compressed air port [bars]		min. 6 opt. 8 max. 10	min. 6 opt. 8 max. 10	min. 6 opt. 8 max. 10	min. 6 opt. 8 max. 10	≥ 4	≥ 4
Actuation	standard	24 V DC	Manual slide valve	24 V DC	24 V DC	Manual slide valve	Manual slide valve
	optional	–	24 V DC	–	–	24 V DC	24 V DC
Level monitoring	4 points	●	○	●	○	○	–
	2 points	–	○	–	●	○	–
Visual filling level indicator		●	●	●	●	●	●
Flow sensor		●	–	–	–	–	–
Pressure monitoring		●	–	–	●	–	–
Number of outlet ports		1 to 3	1 to 3	1 to 3	1 to 3	1 to 8	1 to 2
Air consumption [Nl/min]		15 - 300 **)	15 - 300 **)	15 - 300 **)	15 - 300 **)	≈ 50 per outlet	≈ 50 per outlet
Oil quantity [ml/h]		1 - 150 **)	1 - 150 **)	1 - 150 **)	1 - 150 **)	5 - 100	5 - 100
Mounting position		vertical	vertical	vertical	vertical	vertical	vertical
Weight empty [kg]		25	6.1	6.3	9.5	5	4

\*\*) depending on choice of tool cooling duct diameter.

– not available

● standard

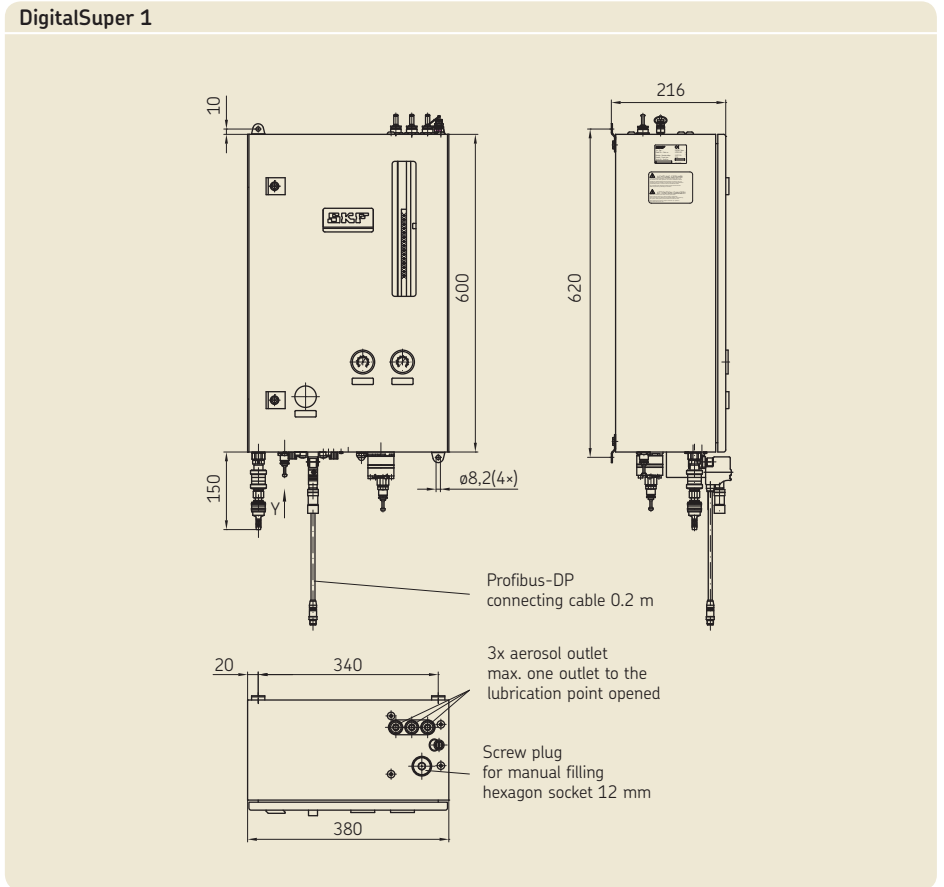
○ optional



### DigitalSuper 1

Order No. UFD10-020

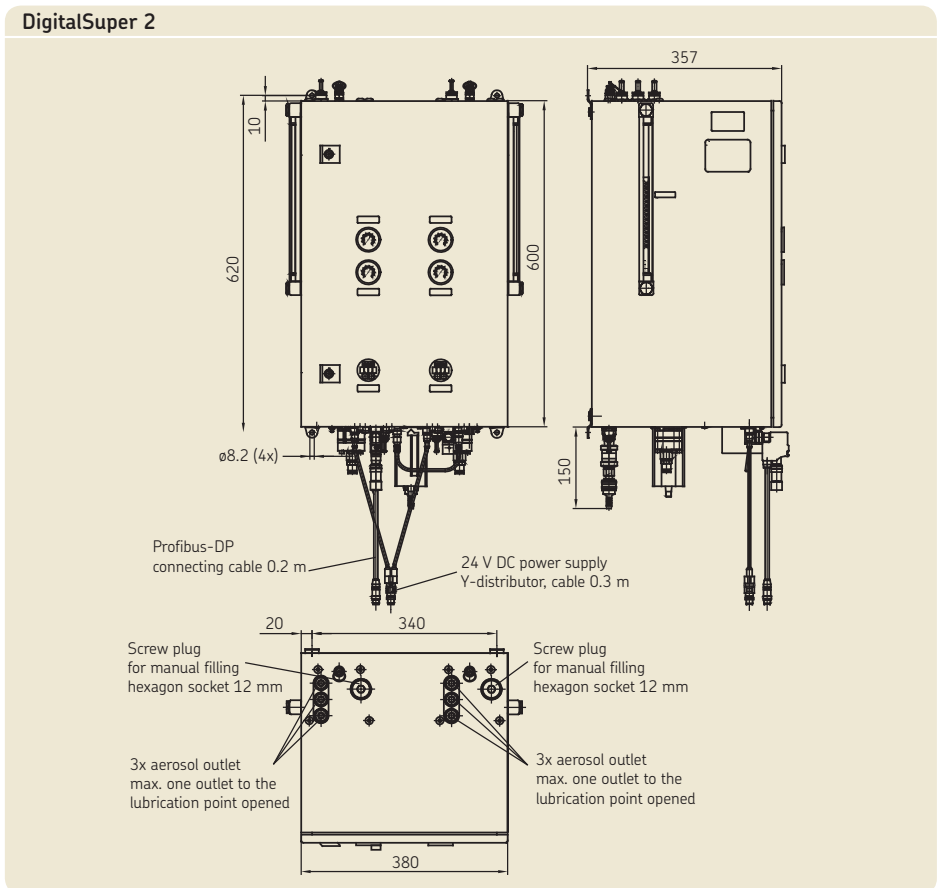
For further technical information, see brochure 1-5109-EN



### DigitalSuper 2

Order No. UFD20-020

For further technical information, see brochure 1-5109-EN



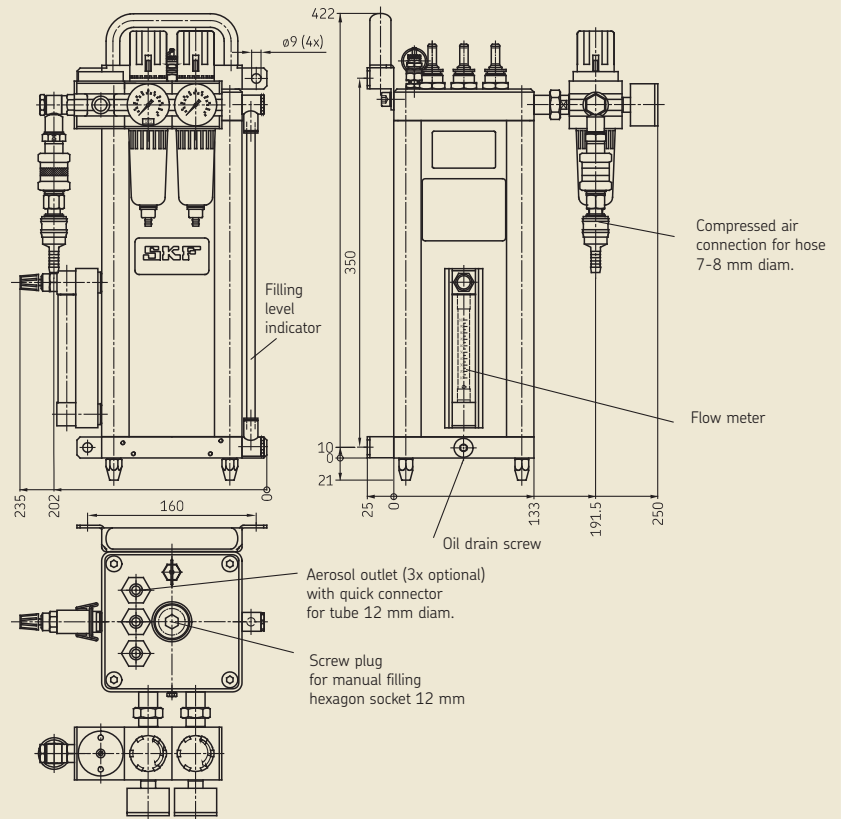




Vario

Order No. UFV10-001-2

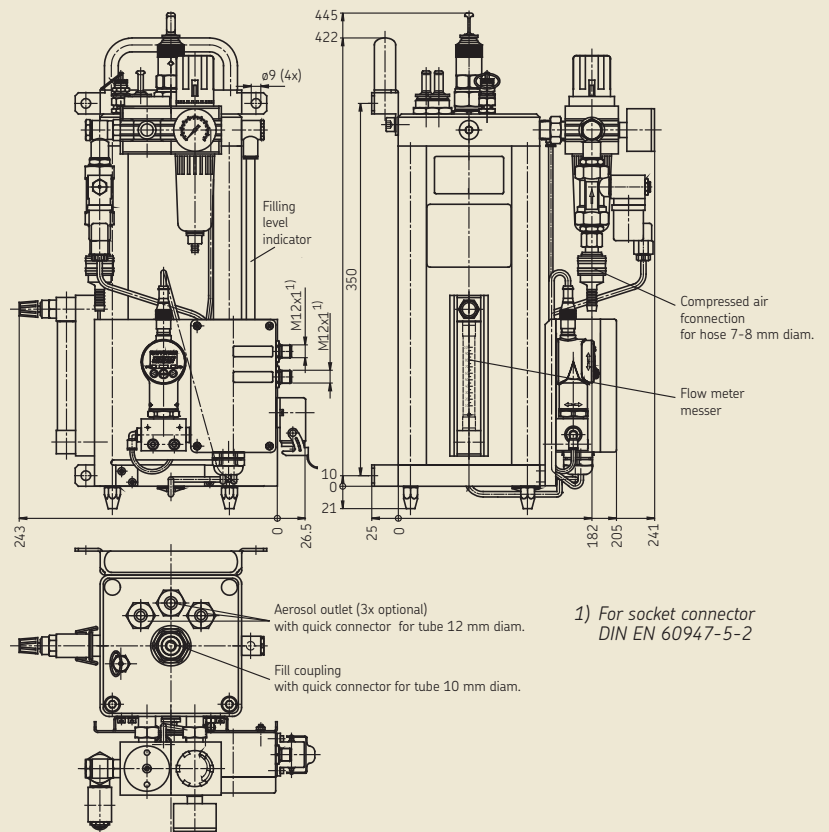
Vario



VarioPlus

Order No. UFV10-009

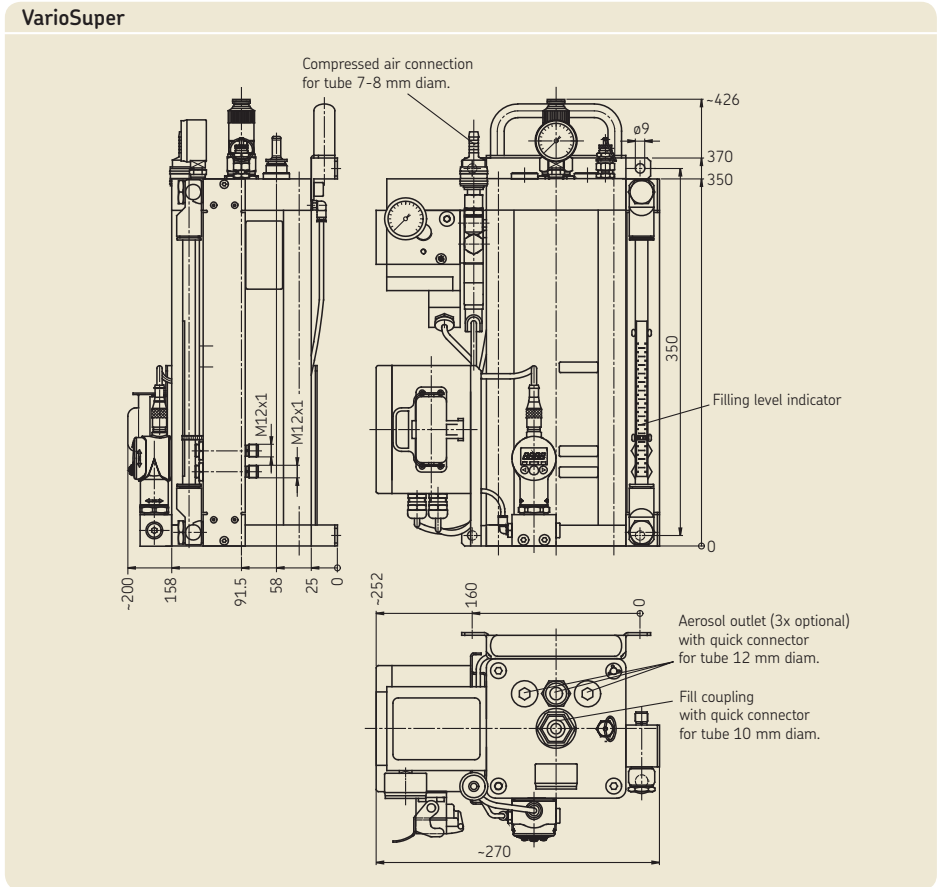
VarioPlus



1) For socket connector DIN EN 60947-5-2



VarioSuper  
Order No. Ufv20-001

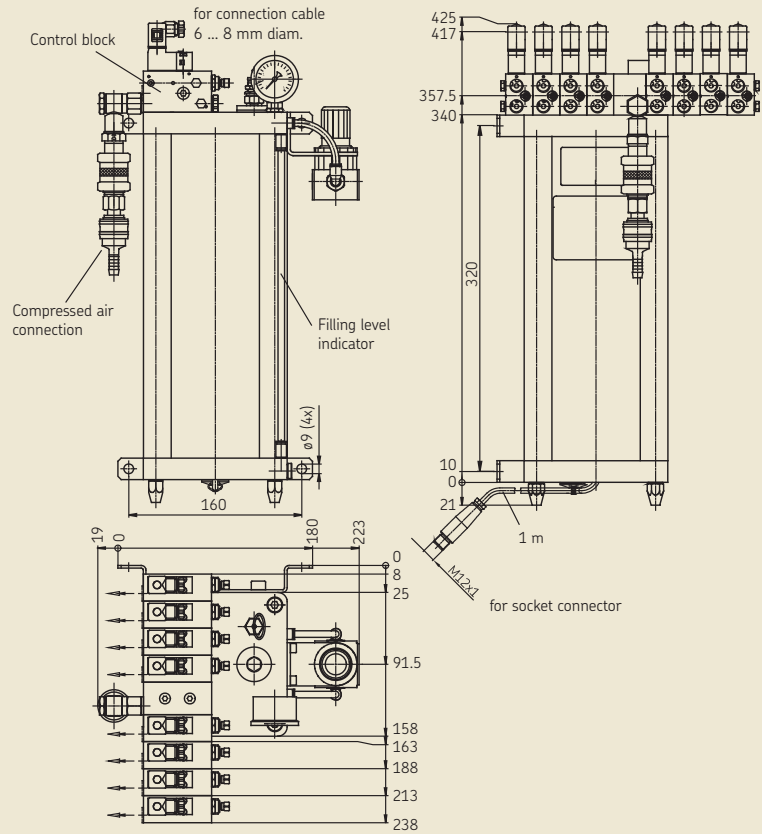




**Basic**

Order No. UFB20- ...  
 (max. 8 lube points)  
 Installation lines must be ordered separately  
 (see page 13)

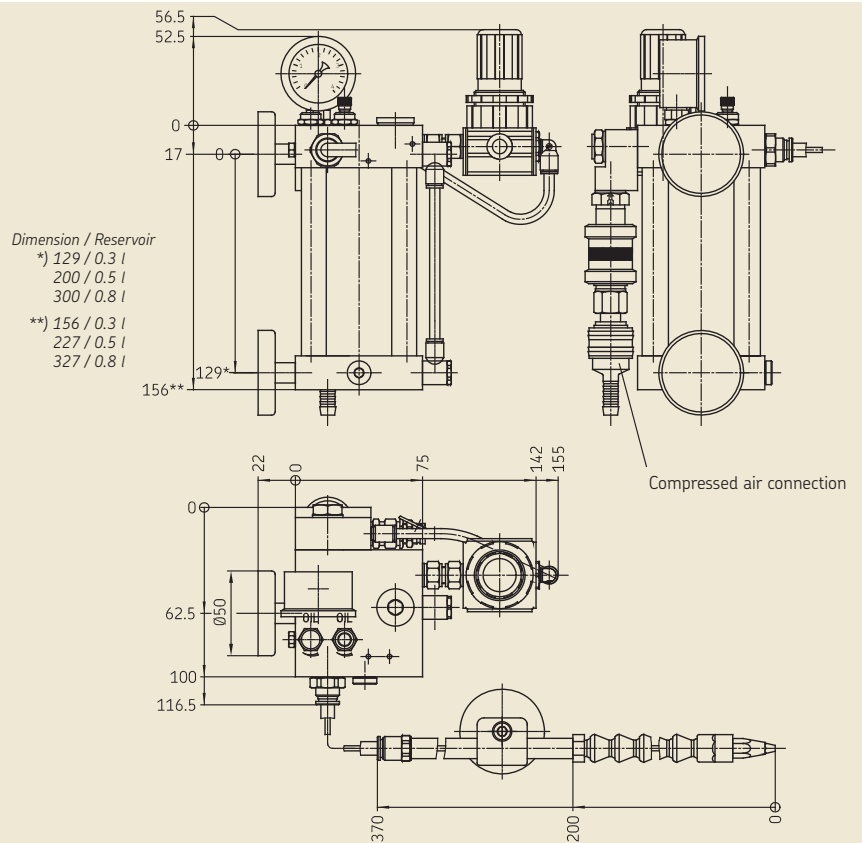
**Basic**



**Smart**

Order No.	Number of spray nozzles	Reservoir capacity
UFS20-001	1	0.3 l
UFS20-005	2	0.3 l
UFS20-002	1	0.5 l
UFS20-006	2	0.5 l
UFS20-003	1	0.8 l
UFS20-007	2	0.8 l

**Smart**



## Accessories

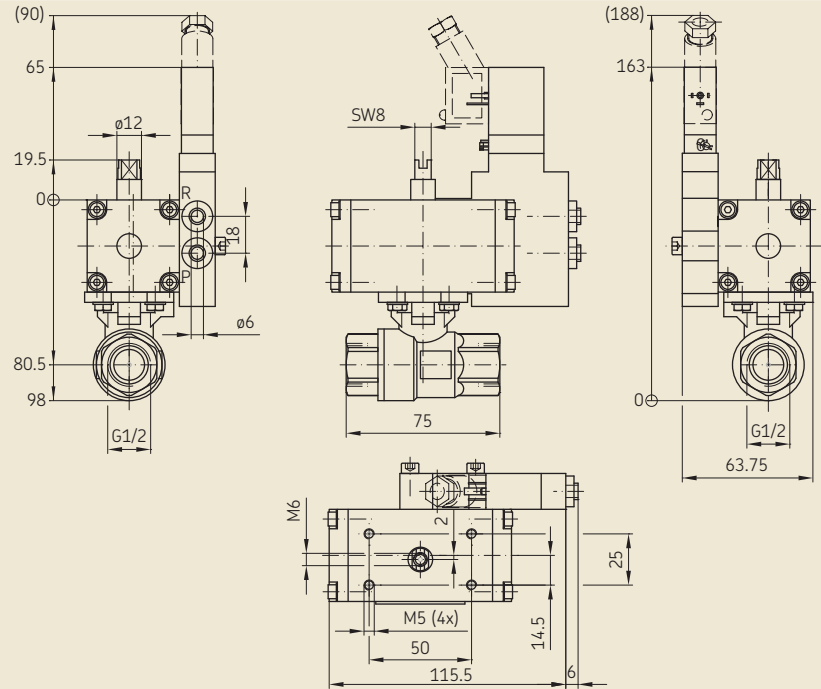


Ball valve 2/2-way

Order No. UFZ.U00-128

Operating pressure max. 100 bars

Ball valve 2/2-way



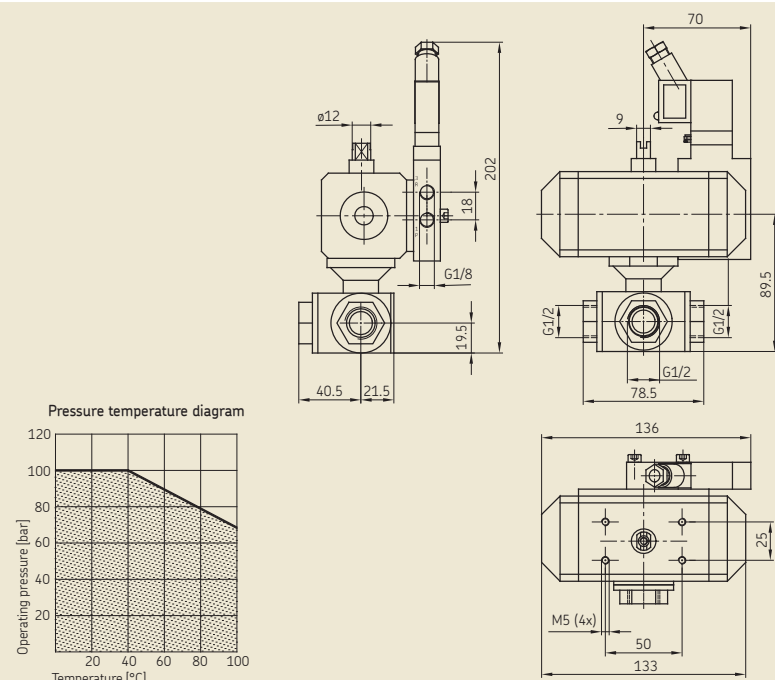
Ball valve 3/2-way

Order No. UFZ.U00-041

Operating pressure max. 100 bars <sup>1)</sup>

<sup>1)</sup> see pressure temperature diagram

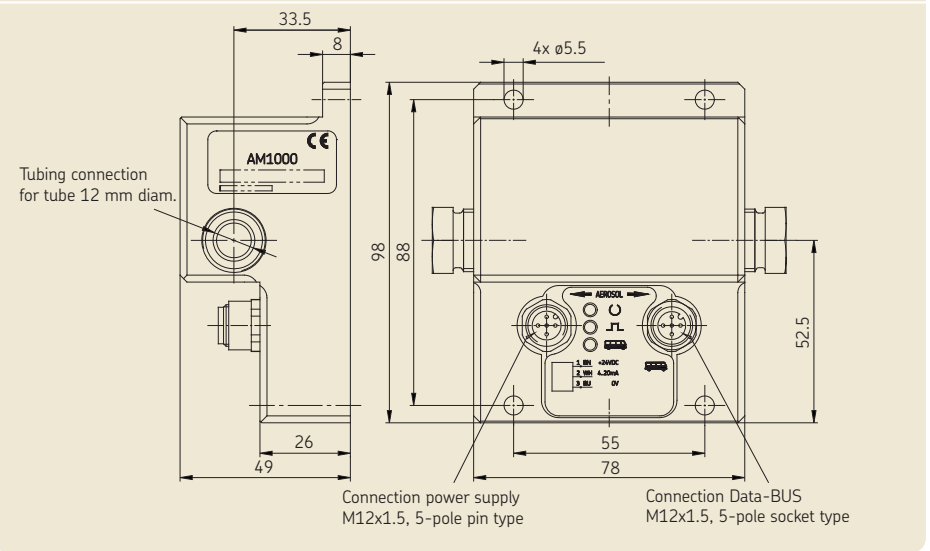
Ball valve 3/2-way



## Accessories



### Aerosol monitor



**Aerosol monitor**  
Order No. AM1000

#### Technical data AM1000

Medium . . . . . aerosol for MMS  
 Typical droplet ø . . . . . 0.5 to 5 µm  
 Max. perm. pressure . . . . . 10 bars  
 Max. throughput . . . . . 800 NI/min  
 Ambient temperature . . . . . 0 to +60 °C  
 Mounting position . . . . . upright, as drawn  
 Degree of protection . . . . . IP 54  
 by enclosure (DIN EN 60529)  
 Operating voltage . . . . . 24 V DC ±25%  
 Quiescent current consumption . . . . . max. 60 mA  
 Load current consumption . . . . . max. 80 mA

#### Accessories for AM1000

Teach-adaptor . . . . . UFZ.U00-137  
 BUS cable 10 m . . . . . UFZ.0370  
 BUS cable 6 m . . . . . UFZ.0369  
 BUS cable 4 m . . . . . UFZ.0375  
 BUS cable 2 m . . . . . UFZ.0368  
 BUS cable 1 m . . . . . UFZ.0374  
 T-connector M12x1 \* . . . . . UFZ.0373  
 cordset, 5 m  
 single-endet M12x1 female connector  
 and moldet cable . . . . . 179-990-600  
 single-endet M12x1 female right angle  
 connector and moldet cable 179-990-601

\* for continuation of Data-BUS line for use with two AM1000 at UFD20-02x



### Basic line installation, coaxial, complete

Material: PU

Order No.	Length	Order No.	Length
UFZ.U00-070	5 m	UFZ.U00-080	15 m
UFZ.U00-071	10 m	UFZ.U00-072	20 m



### Basic line installation, coaxial, complete

Material: Steel sheating

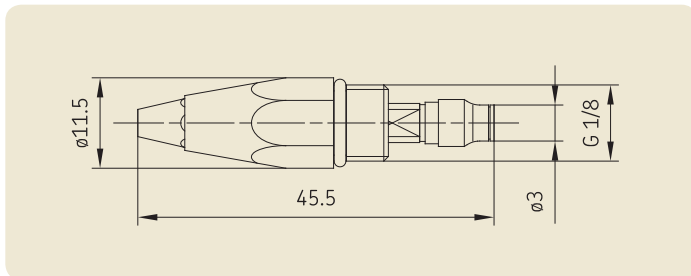
Order No.	Length	Order No.	Length
UFZ.U00-067	5 m	UFZ.U00-079	15 m
UFZ.U00-068	10 m	UFZ.U00-069	20 m

## Accessories

### Concentric flow nozzle

Order No. UFZ.U00-022

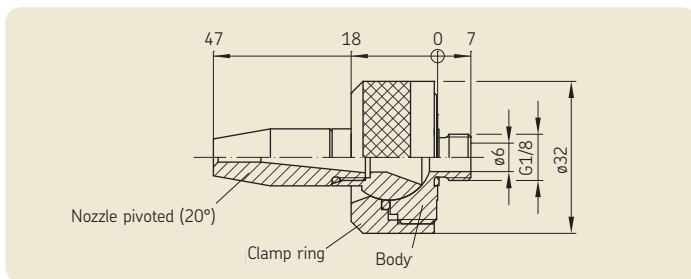
Application:  
External lubrication for  
SKF LubriLean Basic / Smart  
systems



### Nozzle pivoted

Order No. UFZ.U00-150

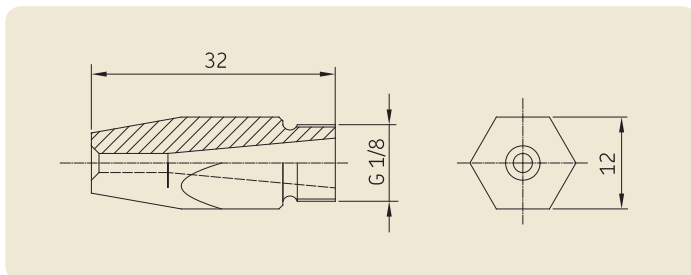
Application:  
External lubrication for  
SKF LubriLean DigitalSuper /  
Vario systems for machining  
centers



### Special nozzle 1/8

Order No. UFZ.0026

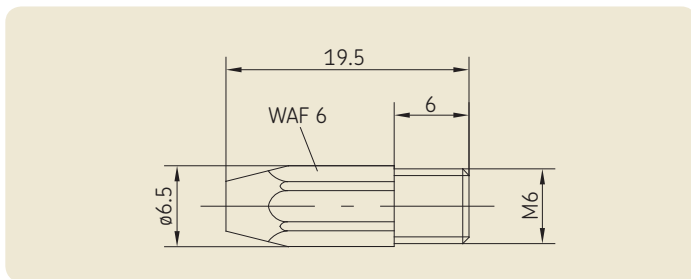
Application:  
External lubrication for  
SKF LubriLean DigitalSuper /  
Vario systems for machining  
centers



### Special nozzle M6

Order No. UFZ.0113

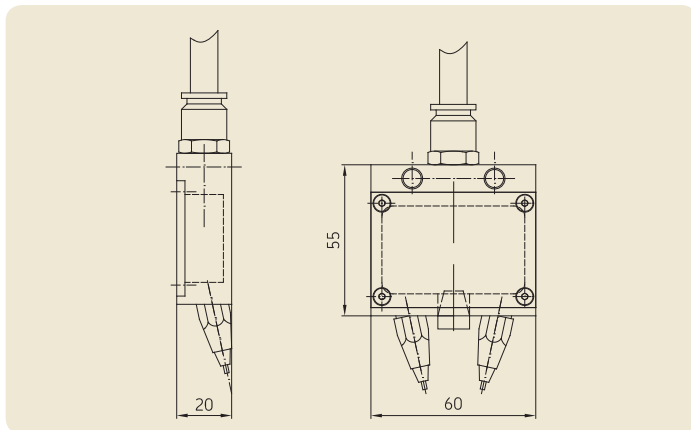
Application:  
External lubrication for  
SKF LubriLean DigitalSuper /  
Vario systems for turning centers



### Saw nozzle

Order No. UFZ.U00-037

Application:  
External lubrication for  
SKF LubriLean Smart / Basic  
systems



## MQL Lubricants

				DIN 51757	Test to DIN 51562	DIN ISO 2592
Type of lubricant	Order No.	Can size [liters]	Base	Density at + 20 °C [g/cm <sup>3</sup> ]	Viscosity at +40 °C [mm <sup>2</sup> /s]	Flash point [°C]
LubriOil	OEL...-LUBRIOIL *)	2.5; 5; 10	fetty acid ester	0.92	47	265
LubriFluid F100	OEL...-LUBRI-F100 *)	2.5; 5; 10	higher alcohol	0.84	25	184

\*) Please add the desired can size to the order No.  
Order example: OEL5-LUBRIOIL

**Order No. 1-5102-EN**

Subject to change without notice! (07/2014)

**Important product usage information**

All products from SKF may be used only for their intended purpose as described in this brochure and in any instructions. If operating instructions are supplied with the products, they must be read and followed.

Not all lubricants are suitable for use in centralized lubrication systems. SKF does offer an inspection service to test customer supplied lubricant to determine if it can be used in a centralized system. SKF lubrication systems or their components are not approved for use with gases, liquefied gases, pressurized gases in solution and fluids with a vapor pressure exceeding normal atmospheric pressure (1013 mbars) by more than 0.5 bar at their maximum permissible temperature.

Hazardous materials of any kind, especially the materials classified as hazardous by European Community Directive EC 67/548/EEC, Article 2, Par. 2, may only be used to fill SKF centralized lubrication systems and components and delivered and/or distributed with the same after consulting with and receiving written approval from SKF.

**Further brochures**

1-5109-EN SKF LubriLean DigitalSuper

1-9201-EN Transport of Lubricants in Centralized Lubrication Systems

1-0999-EN SKF LubriLean improves ecological and economic efficiency

**SKF Lubrication Systems Germany GmbH**

Motzener Strasse 35/37 · 12277 Berlin · Germany

PF 970444 · 12704 Berlin · Germany

Tel. +49 (0)30 72002-0 · Fax +49 (0)30 72002-111

[www.skf.com/lubrication](http://www.skf.com/lubrication)

This brochure was presented by:

® SKF and LUBRILEAN are registered trademarks of the SKF Group.

© SKF Group 2014

The contents of this publication are the copyright of the publisher and may not be reproduced (even extracts) unless prior written permission is granted. Every care has been taken to ensure the accuracy of the information contained in this publication but no liability can be accepted for any loss or damage whether direct, indirect or consequential arising out of the use of the information contained herein.

